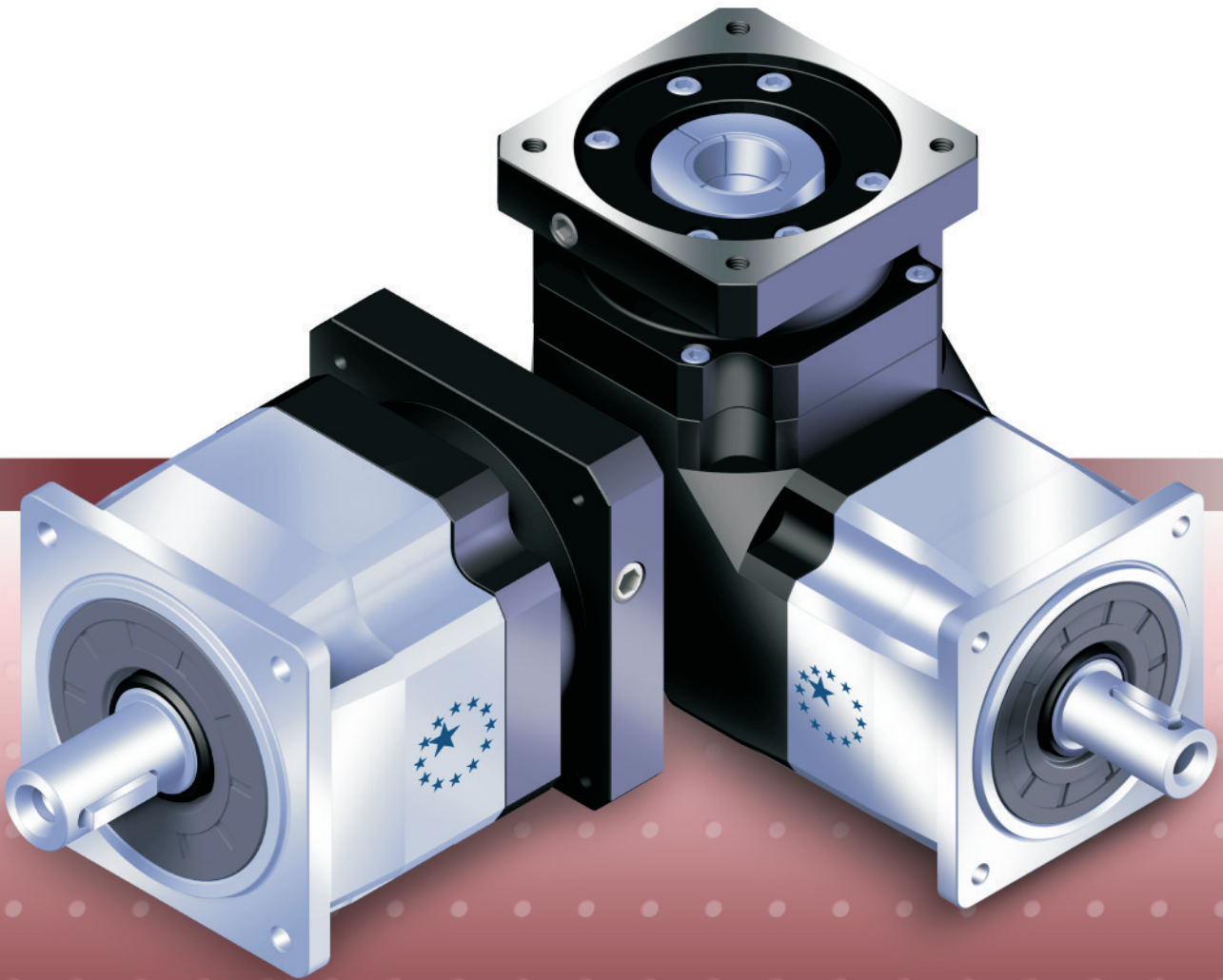




APEX DYNAMICS, USA

AN / ANR Series

*Nema Planetary Gearboxes
High Precision
High Speed*



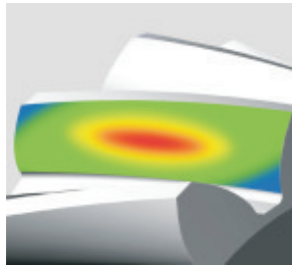
Stainless

AN / ANR Series

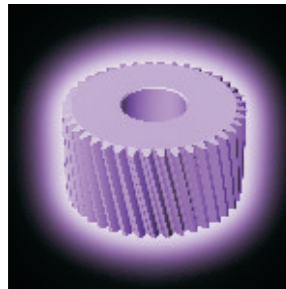
Characteristic Highlights



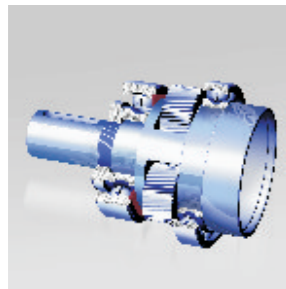
Planet gears rotate on **solid uncaged needle roller bearings** for increased stiffness and the maximum number of contact points. Hardened thrust washers allow the precise control of clearances in order to eliminate backlash.



Industry-leading gear performance is attained with our **HeliTopo technology**. **Ease off of the tooth profile and lead crowning** optimizes the gear mesh under load and achieves maximum tooth surface contact.



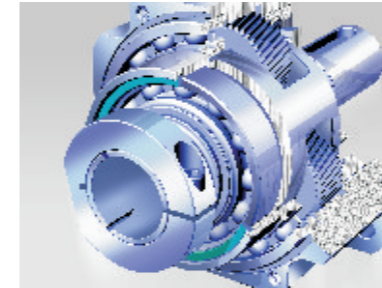
Our In-house plasma nitriding treatment process allows the hardness of the gear flanks to reach over 900Hv for superior wear resistance and still maintain a core hardness of 30HRc for toughness and resistance to shock loading.



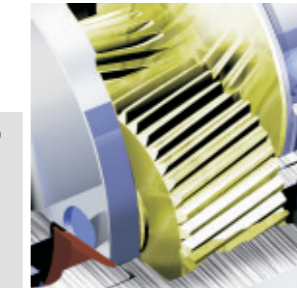
One-piece carrier and output housing ensure 100% concentricity and alignment of all the rotating components. One-piece construction increases strength, rigidity and system reliability.



Helical gear design. Helical gearing increases the tooth to tooth contact ratio by as much as 33%. Benefits include increased torque capacity, ultimate smoothness, lower backlash and decreased noise. The helix angle is carefully chosen to gain these advantages while not producing excessive axial forces.

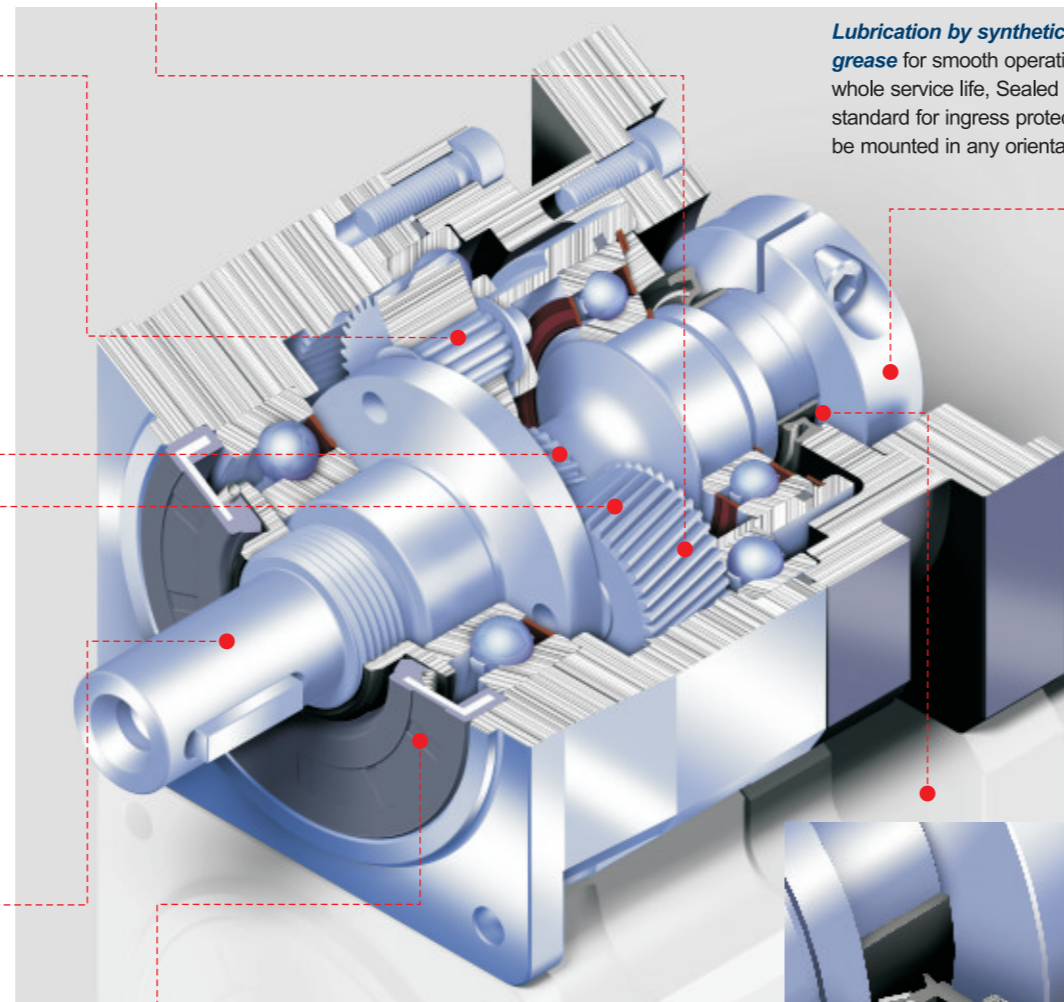


Patented planet carrier design mounts the sun gear bearing directly into the planet carrier in order to eliminate misalignment. This exclusive design offers great advantages in decreased noise, vibration and transmission errors and losses.

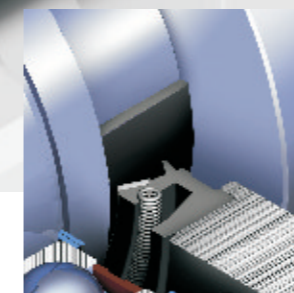


Triple split collet with dynamic balanced set collar clamping system provides backlash free power transmission and eliminates slippage. 100% concentricity allows for smooth rotation and higher input speed capability.

Lubrication by synthetic Nyogel 792D grease for smooth operation over the whole service life, Sealed to **IP65** standard for ingress protection and can be mounted in any orientation.

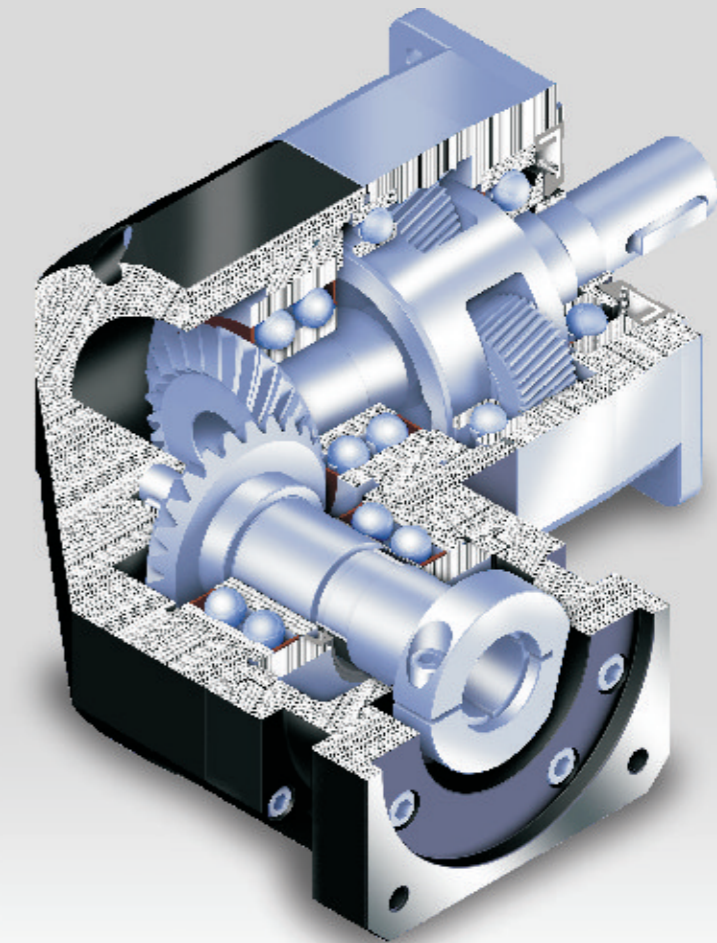


NEW - Patented output sealing systems design eliminates friction and heat generation which is accomplished by applying our hi-tech coating to all output contact surfaces. This coating reaches a hardness of **3700Hv** and is ground to $R_a 0.2 \mu m$ finish to ensure sealing.



NEW - Patented input sealing system design eliminates break away torque and decreases friction/heat. The hi-tech coating bushing (**3700 Hv**, $R_a 0.2 \mu m$ finish) interfaces with our proprietary seal which decreases wear and erosion of both sealing surfaces. This new patent prevents leakage and has a service life of over 20,000 hours.

ANR Series



ANR version with 90° input via spiral bevel gear. Featuring an extremely short, rigid housing with full compatibility to any motor.

AN Series

Specifications

Gearbox Performance

Model No.	Stage	Ratio ¹	AN023	AN023A	AN023B	AN023C	AN034	AN034A	AN034B	AN034C	
Nominal Output Torque T_{2N}	1	5	60	-	60	-	160	-	160	-	
		10	40	-	40	-	100	-	100	-	
	2	25	60	60	60	60	160	160	160	160	
		50	60	60	60	60	160	160	160	160	
		100	40	40	40	40	100	100	100	100	
Emergency Stop Torque T_{2NOT}^2	Nm	1,2	5~100	3 times of Nominal Output Torque							
Nominal Input Speed n_{iN}	rpm	1,2	5~100	5,000	5,000	5,000	5,000	4,000	4,000	4,000	4,000
Max. Input Speed n_{iB}	rpm	1,2	5~100	10,000	10,000	10,000	10,000	8,000	8,000	8,000	8,000
Micro Backlash P_0		1	5~10	-	-	-	-	≤1	-	≤1	-
		2	25~100	-	-	-	-	-	-	-	-
Reduced Backlash P_1	arcmin	1	5~10	≤3	-	≤3	-	≤3	-	≤3	-
		2	25~100	≤5	≤5	≤5	≤5	≤5	≤5	≤5	≤5
Standard Backlash P_2	arcmin	1	5~10	≤5	-	≤5	-	≤5	-	≤5	-
		2	25~100	≤7	≤7	≤7	≤7	≤7	≤7	≤7	≤7
Torsional Rigidity	Nm/arcmin	1,2	5~100	2.6	2.6	1.7	1.7	9.5	9.5	3.2	3.2
Max. Radial Load F_{2RB}^3	N	1,2	5~100	950	950	1,000	1,000	2,450	2,450	2,550	2,550
Max. Axial Load F_{2AB}^3	N	1,2	5~100	475	475	500	500	1,225	1,225	1,275	1,275
Service Life	hr	1,2	5~100	20,000*							
Efficiency η	%	1	5~10	≥97%							
		2	25~100	≥94%							
Weight	kg	1	5~10	1.2	-	1.2	-	3.4	-	3.4	-
		2	25~100	1.4	1.9	1.4	1.9	4	5.3	4	5.3
Operating Temperature	°C	1,2	5~100	-10°C~+90°C							
Lubrication		1,2	5~100	synthetic gear grease (NYOGEL 792D)							
Degree of Gearbox Protection		1,2	5~100	IP65							
Mounting Position		1,2	5~100	all directions							
Noise Level ($n_i=3000$ rpm)	dB	1,2	5~100	≤58	≤60	≤58	≤60	≤60	≤63	≤60	≤63

Gearbox Inertia

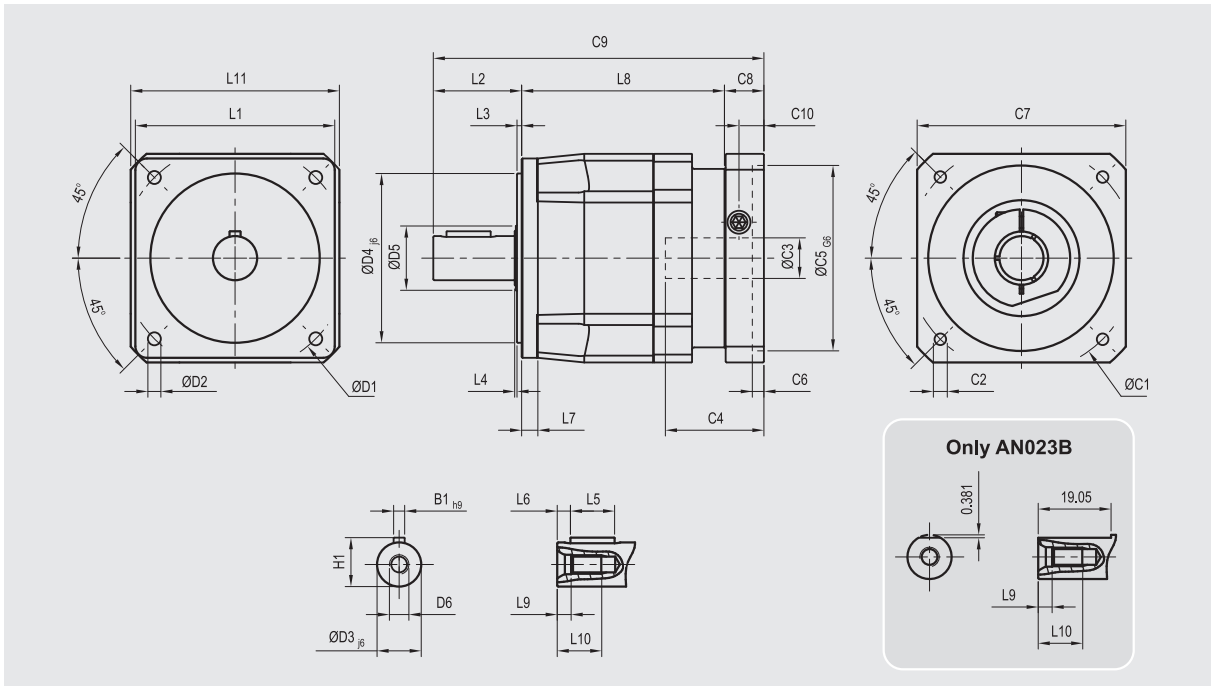
Model No.	Stage	Ratio ¹	AN023	AN023A	AN023B	AN023C	AN034	AN034A	AN034B	AN034C
Mass Moments of Inertia J_1	1	5	0.13	-	0.13	-	0.47	-	0.47	-
		10	0.13	-	0.13	-	0.44	-	0.44	-
	2	25	0.03	0.13	0.03	0.13	0.13	0.47	0.13	0.47
		50	0.03	0.13	0.03	0.13	0.13	0.44	0.13	0.44
		100	0.03	0.13	0.03	0.13	0.13	0.44	0.13	0.44

1. Ratio ($i=N_{in}/N_{out}$)
* S1 service life 10,000 hrs

2. $T_{2B} = 60\%$ of T_{2NOT}

3. Applied to the output shaft center @ 100 rpm

Dimensions (1-stage, Ratio i=5~10)



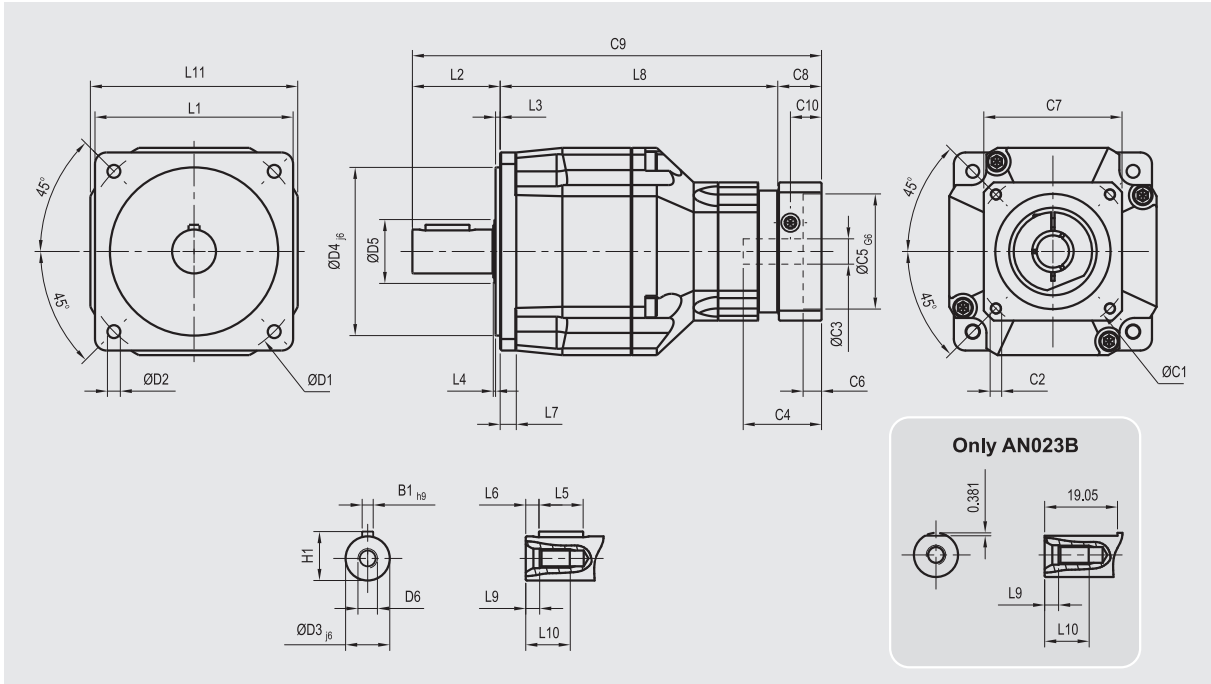
Unit: mm (inch)

Dimension	AN023	AN023B	AN034	AN034B
D1	66.675 (2.625)	66.675 (2.625)	98.425 (3.875)	98.425 (3.875)
D2	5.6	5.6	5.6	5.6
D3 _{j6}	12.7 (0.50)	9.525 (0.375)	19.05 (0.750)	12.7 (0.50)
D4 _{j6}	38.1 (1.50)	38.1 (1.50)	73.025 (2.875)	73.025 (2.875)
D5	22	22	30	30
D6	M5 x 0.8P	M4 x 0.7P	M8 x 1.25P	M5 x 0.8P
L1	60	60	86	86
L2	31.8 (1.252)	25.4 (1.00)	38.1 (1.50)	31.8 (1.252)
L3	2	2	2	2
L4	1	1	1	1
L5	19.05 (0.750)	-	19.05 (0.750)	19.05 (0.750)
L6	3.8 (0.150)	-	5.7 (0.224)	3.8 (0.150)
L7	6	6	7	7
L8	64.5	64.5	87.5	87.5
L9	4.8	4.5	7.2	4.8
L10	12.5	10	19	12.5
L11	60	60	90	90
C1 ⁴	66.675 (2.625)	66.675 (2.625)	98.425 (3.875)	98.425 (3.875)
C2 ⁴	M5 x 0.8P	M5 x 0.8P	M5 x 0.8P	M5 x 0.8P
C3 ⁴	≤14 / ≤16	≤14 / ≤16	≤19 / ≤24	≤19 / ≤24
C4 ⁴	40 (1.575)	40 (1.575)	40 (1.575)	40 (1.575)
C5 ⁴ _{G6}	38.15 (1.502)	38.15 (1.502)	73.08 (2.877)	73.08 (2.877)
C6 ⁴	4 (0.157)	4 (0.157)	4 (0.157)	4 (0.157)
C7 ⁴	58 (2.283)	58 (2.283)	85 (3.346)	85 (3.346)
C8 ⁴	25 (0.984)	25 (0.984)	17 (0.669)	17 (0.669)
C9 ⁴	121.3 (4.776)	114.9 (4.524)	142.6 (5.614)	136.3 (5.366)
C10 ⁴	19.5 (0.768)	19.5 (0.768)	10.75 (0.423)	10.75 (0.423)
B1 _{h9}	3.175 (0.125)	-	4.763 (0.188)	3.175 (0.125)
H1	14.125 (0.556)	-	21.113 (0.832)	14.125 (0.556)

4. C1~C10 are motor specific dimensions (nema std shown). Refer to apexdyna.com and design tool to view your specific motor mounting system.

AN Series

Dimensions (2-stage, Ratio $i=25,50,100$)



Unit: mm (inch)

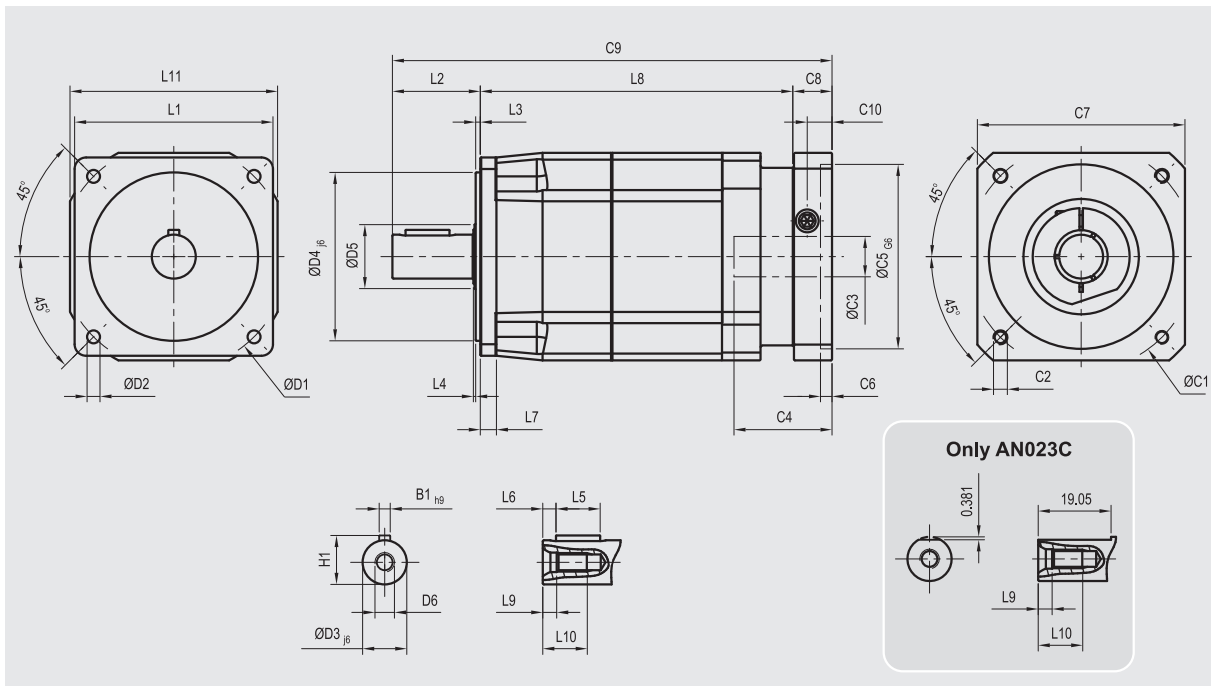
Dimension	AN023	AN023B	AN034	AN034B
D1	66.675 (2.625)	66.675 (2.625)	98.425 (3.875)	98.425 (3.875)
D2	5.6	5.6	5.6	5.6
D3 _{j6}	12.7 (0.50)	9.525 (0.375)	19.05 (0.750)	12.7 (0.50)
D4 _{j6}	38.1 (1.50)	38.1 (1.50)	73.025 (2.875)	73.025 (2.875)
D5	22	22	30	30
D6	M5 x 0.8P	M4 x 0.7P	M8 x 1.25P	M5 x 0.8P
L1	60	60	86	86
L2	31.8 (1.252)	25.4 (1.00)	38.1 (1.50)	31.8 (1.252)
L3	2	2	2	2
L4	1	1	1	1
L5	19.05 (0.750)	-	19.05 (0.750)	19.05 (0.750)
L6	3.8 (0.150)	-	5.7 (0.224)	3.8 (0.150)
L7	6	6	7	7
L8	75.5	75.5	120.5	120.5
L9	4.8	4.5	7.2	4.8
L10	12.5	10	19	12.5
L11	60	60	90	90
C1 ⁵	66.675 (2.625)	66.675 (2.625)	66.675 (2.625)	66.675 (2.625)
C2 ⁵	M5 x 0.8P	M5 x 0.8P	M5 x 0.8P	M5 x 0.8P
C3 ⁵	≤11 / ≤12	≤11 / ≤12	≤14 / ≤16	≤14 / ≤16
C4 ⁵	32 (1.260)	32 (1.260)	40 (1.575)	40 (1.575)
C5 ^{5 G6}	38.15 (1.502)	38.15 (1.502)	38.15 (1.502)	38.15 (1.502)
C6 ⁵	3.5 (0.138)	3.5 (0.138)	4 (0.157)	4 (0.157)
C7 ⁵	55 (2.165)	55 (2.165)	58 (2.283)	58 (2.283)
C8 ⁵	36.5 (1.437)	36.5 (1.437)	25 (0.984)	25 (0.984)
C9 ⁵	143.8 (5.661)	137.4 (5.409)	183.6 (7.228)	177.3 (6.980)
C10 ⁵	15.75 (0.620)	15.75 (0.620)	19.5 (0.768)	19.5 (0.768)
B1 _{h9}	3.175 (0.125)	-	4.763 (0.188)	3.175 (0.125)
H1	14.125 (0.556)	-	21.113 (0.831)	14.125 (0.556)

5. C1~C10 are motor specific dimensions (nema std shown). Refer to apexdyna.com and design tool to view your specific motor mounting system.

AN Series

Dimensions (2-stage, Ratio $i=25,50,100$)

For motor with large shaft diameters



Unit: mm (inch)

Dimension	AN023A	AN023C	AN034A	AN034C
D1	66.675 (2.625)	66.675 (2.625)	98.425 (3.875)	98.425 (3.875)
D2	5.6	5.6	5.6	5.6
D3 _{j6}	12.7 (0.50)	9.525 (0.375)	19.05 (0.750)	12.7 (0.50)
D4 _{j6}	38.1 (1.50)	38.1 (1.50)	73.025 (2.875)	73.025 (2.875)
D5	22	22	30	30
D6	M5 x 0.8P	M4 x 0.7P	M8 x 1.25P	M5 x 0.8P
L1	60	60	86	86
L2	31.8 (1.252)	25.4 (1.00)	38.1 (1.50)	31.8 (1.252)
L3	2	2	2	2
L4	1	1	1	1
L5	19.05 (0.750)	-	19.05 (0.750)	19.05 (0.750)
L6	3.8 (0.150)	-	5.7 (0.224)	3.8 (0.150)
L7	6	6	7	7
L8	101.5	101.5	135.5	135.5
L9	4.8	4.5	7.2	4
L10	12.5	10	19	12.5
L11	60	60	90	90
C1 ⁶	66.675 (2.625)	66.675 (2.625)	98.425 (3.875)	98.425 (3.875)
C2 ⁶	M5 x 0.8P	M5 x 0.8P	M5 x 0.8P	M5 x 0.8P
C3 ⁶	≤14 / ≤16	≤14 / ≤16	≤19 / ≤24	≤19 / ≤24
C4 ⁶	40 (1.575)	40 (1.575)	40 (1.575)	40 (1.575)
C5 ^{6 G6}	38.15 (1.502)	38.15 (1.502)	73.08 (2.877)	73.08 (2.877)
C6 ⁶	4 (0.157)	4 (0.157)	4 (0.157)	4 (0.157)
C7 ⁶	58 (2.283)	58 (2.283)	85 (3.346)	85 (3.346)
C8 ⁶	25 (0.984)	25 (0.984)	17 (0.669)	17 (0.669)
C9 ⁶	158.3 (6.232)	151.9 (5.980)	190.6 (7.504)	184.3 (7.256)
C10 ⁶	19.5 (0.768)	19.5 (0.768)	10.75 (0.423)	10.75 (0.423)
B1 _{h9}	3.175 (0.125)	-	4.763 (0.188)	3.175 (0.125)
H1	14.125 (0.556)	-	21.113 (0.831)	14.125 (0.556)

6. C1~C10 are motor specific dimensions (nema std shown). Refer to apexdyna.com and design tool to view your specific motor mounting system.

ANR Series

Specifications

Gearbox Performance

Model No.	Stage	Ratio ¹	ANR023	ANR023A	ANR023B	ANR023C	ANR034	ANR034A	ANR034B	ANR034C	
Nominal Output Torque T_{2N}	Nm	1	5	60	-	60	-	150	-	150	-
			10	40	-	40	-	100	-	100	-
			20	40	-	40	-	100	-	100	-
	2	25	60	60	60	60	150	150	150	150	
		50	60	60	60	60	100	100	100	100	
		100	40	40	40	40	100	100	100	100	
200	-	40	-	40	100	100	100	100			
Emergency Stop Torque T_{2NOT} ²	Nm	1,2	5~200	3 times of Nominal Output Torque							
Nominal Input Speed n_{1N}	rpm	1,2	5~200	5,000	5,000	5,000	5,000	4,000	4,000	4,000	4,000
Max. Input Speed n_{1B}	rpm	1,2	5~200	10,000	10,000	10,000	10,000	8,000	8,000	8,000	8,000
Micro Backlash P_0		1	5~20	-	-	-	-	≤2	-	≤2	-
		2	25~200	-	-	-	-	≤4	≤4	≤4	≤4
Reduced Backlash P_1	arcmin	1	5~20	≤4	-	≤4	-	≤4	-	≤4	-
		2	25~200	≤7	≤7	≤7	≤7	≤7	≤7	≤7	≤7
Standard Backlash P_2	arcmin	1	5~20	≤6	-	≤6	-	≤6	-	≤6	-
		2	25~200	≤9	≤9	≤9	≤9	≤9	≤9	≤9	≤9
Torsional Rigidity	Nm/arcmin	1,2	5~200	2.6	2.6	1.7	1.7	9.5	9.5	3.2	3.2
Max. Radial Load F_{2RB} ³	N	1,2	5~200	950	950	1,000	1,000	2,450	2,450	2,550	2,550
Max. Axial Load F_{2AB} ³	N	1,2	5~200	475	475	500	500	1,225	1,225	1,275	1,275
Service Life	hr	1,2	5~200	20,000*							
Efficiency η	%	1	5~20	≥95%							
		2	25~200	≥92%							
Weight	kg	1	5~20	2	-	2	-	6	-	6	-
		2	25~200	1.8	2.6	1.8	2.6	4.8	8	4.7	7.9
Operating Temperature	°C	1,2	5~200	-10°C~+90°C							
Lubrication		1,2	5~200	synthetic gear grease (NYOGEL 792D)							
Degree of Gearbox Protection		1,2	5~200	IP65							
Mounting Position		1,2	5~200	all directions							
Noise Level ($n_1=3000$ rpm)	dB	1,2	5~200	≤63	≤65	≤63	≤65	≤65	≤68	≤65	≤68

Gearbox Inertia

Model No.	Stage	Ratio ¹	ANR023	ANR023A	ANR023B	ANR023C	ANR034	ANR034A	ANR034B	ANR034C
Mass Moments of Inertia J_1	1	5~10	0.35	-	0.35	-	2.25	-	2.25	-
		20	0.07	-	0.07	-	1.87	-	1.87	-
	2	25~100	0.09	0.35	0.09	0.35	0.35	2.25	0.35	2.25
		120~200	-	0.07	-	0.07	0.31	1.87	0.31	1.87

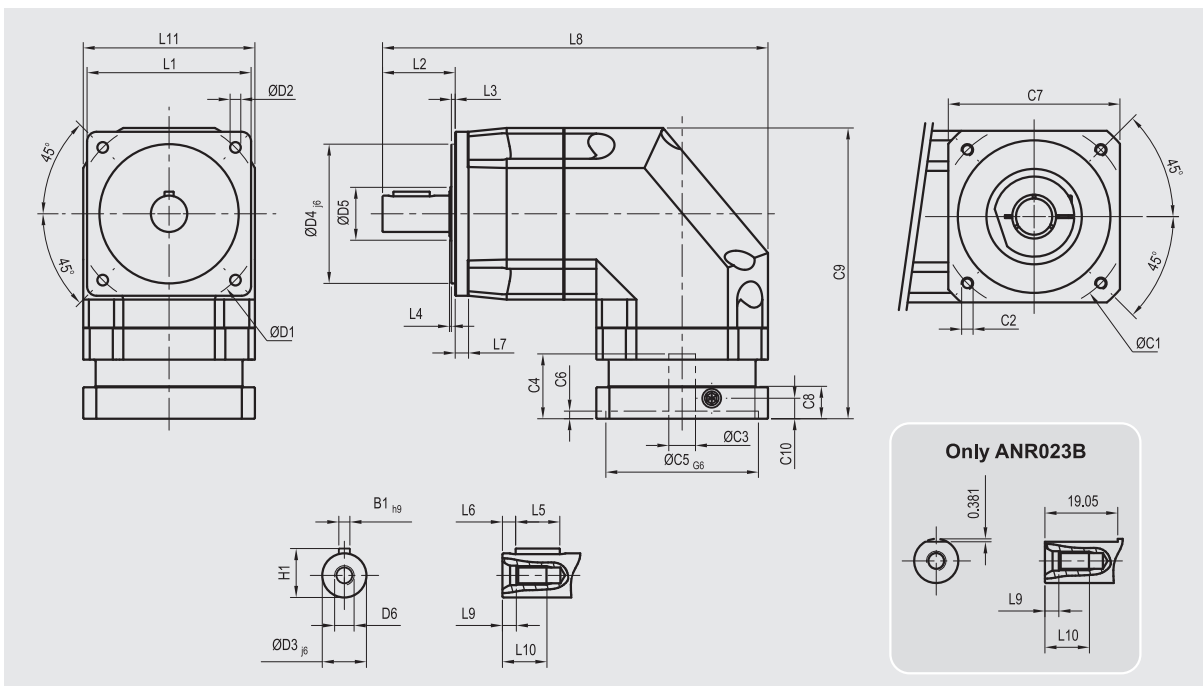
1. Ratio ($i=N_{in}/N_{out}$)

2. $T_{2B} = 60\%$ of T_{2NOT}

3. Applied to the output shaft center @ 100 rpm

* S1 service life 10,000 hrs

Dimensions (1-stage, Ratio $i=5\sim 20$)



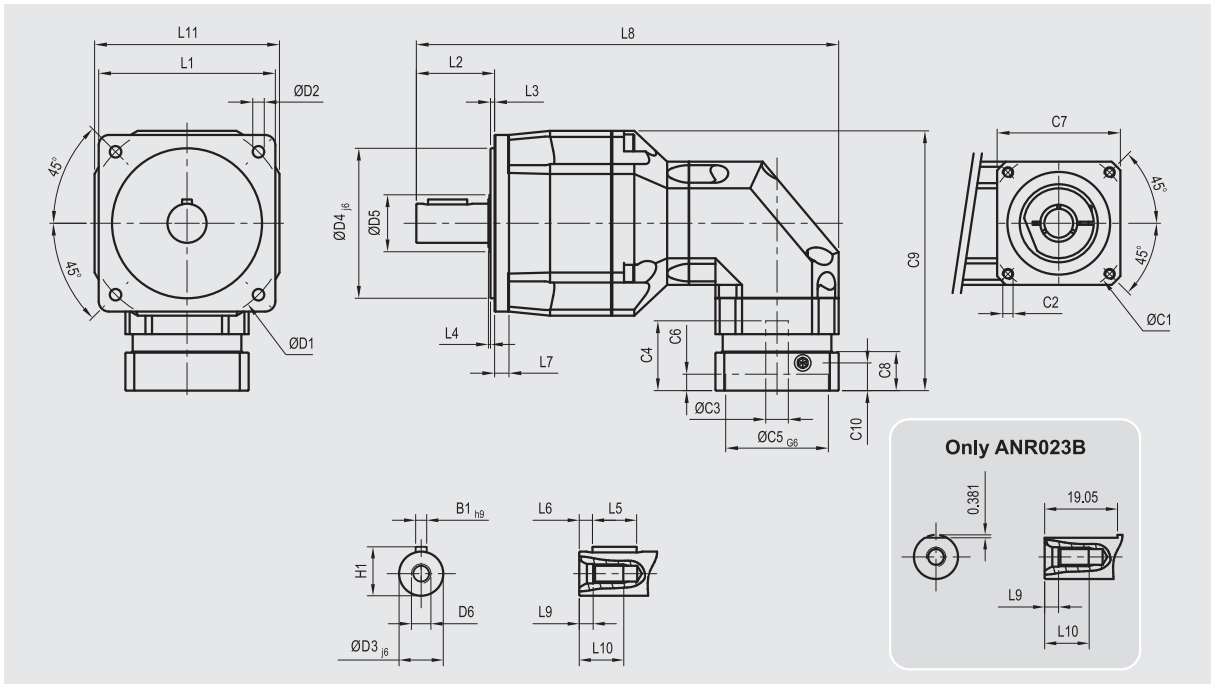
Unit: mm (inch)

Dimension	ANR023	ANR023B	ANR034	ANR034B
D1	66.675 (2.625)	66.675 (2.625)	98.425 (3.875)	98.425 (3.875)
D2	5.6	5.6	5.6	5.6
D3 _{j6}	12.7 (0.50)	9.525 (0.375)	19.05 (0.750)	12.7 (0.50)
D4 _{j6}	38.1 (1.50)	38.1 (1.50)	73.025 (2.875)	73.025 (2.875)
D5	22	22	30	30
D6	M5 x 0.8P	M4 x 0.7P	M8 x 1.25P	M5 x 0.8P
L1	60	60	86	86
L2	31.8 (1.252)	25.4 (1.00)	38.1 (1.50)	31.8 (1.252)
L3	2	2	2	2
L4	1	1	1	1
L5	19.05 (0.750)	-	19.05 (0.750)	19.05 (0.750)
L6	3.8 (0.150)	-	5.7 (0.224)	3.8 (0.150)
L7	6	6	7	7
L8	143.3	136.9	202.1	195.8
L9	4.8	4.5	7.2	4.8
L10	12.5	10	19	12.5
L11	60	60	90	90
C1 ⁴	66.675 (2.625)	66.675 (2.625)	98.425 (3.875)	98.425 (3.875)
C2 ⁴	M5 x 0.8P	M5 x 0.8P	M5 x 0.8P	M5 x 0.8P
C3 ⁴	≤14 / ≤16	≤14 / ≤16	≤19 / ≤24	≤19 / ≤24
C4 ⁴	40 (1.575)	40 (1.575)	40 (1.575)	40 (1.575)
C5 ⁴ _{G6}	38.15 (1.502)	38.15 (1.502)	73.08 (2.877)	73.08 (2.877)
C6 ⁴	4 (0.157)	4 (0.157)	4 (0.157)	4 (0.157)
C7 ⁴	58 (2.283)	58 (2.283)	85 (3.346)	85 (3.346)
C8 ⁴	25 (0.984)	25 (0.984)	17 (0.669)	17 (0.669)
C9 ⁴	117.5 (4.626)	117.5 (4.626)	152.5 (6.004)	152.5 (6.004)
C10 ⁴	19.5 (0.768)	19.5 (0.768)	10.75 (0.423)	10.75 (0.423)
B1 _{h9}	3.175 (0.125)	-	4.763 (0.188)	3.175 (0.125)
H1	14.125 (0.556)	-	21.113 (0.831)	14.125 (0.556)

4. C1~C10 are motor specific dimensions (nema std shown). Refer to apexdyna.com and design tool to view your specific motor mounting system.

ANR Series

Dimensions (2-stage, Ratio i=25,50,100,200)

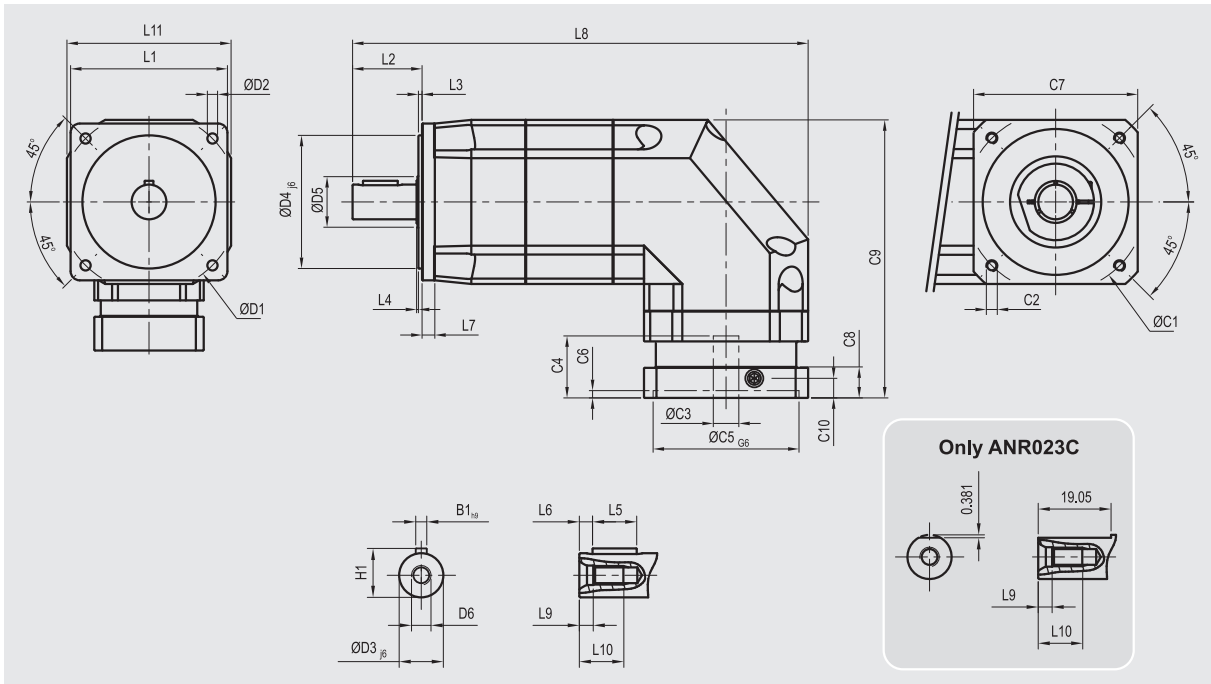


Unit: mm (inch)

Dimension	ANR023	ANR023B	ANR034	ANR034B
D1	66.675 (2.625)	66.675 (2.625)	98.425 (3.875)	98.425 (3.875)
D2	5.6	5.6	5.6	5.6
D3 _{j6}	12.7 (0.50)	9.525 (0.375)	19.05 (0.750)	12.7 (0.50)
D4 _{j6}	38.1 (1.50)	38.1 (1.50)	73.025 (2.875)	73.025 (2.875)
D5	22	22	30	30
D6	M5 x 0.8P	M4 x 0.7P	M8 x 1.25P	M5 x 0.8P
L1	60	60	86	86
L2	31.8 (1.252)	25.4 (1.00)	38.1 (1.50)	31.8 (1.252)
L3	2	2	2	2
L4	1	1	1	1
L5	19.05 (0.750)	-	19.05 (0.750)	19.05 (0.750)
L6	3.8 (0.150)	-	5.7 (0.224)	3.8 (0.150)
L7	6	6	7	7
L8	161.8	155.4	205.6	199.3
L9	4.8	4.5	7.2	4.8
L10	12.5	10	19	12.5
L11	60	60	90	90
C1 ⁵	66.675 (2.625)	66.675 (2.625)	66.675 (2.625)	66.675 (2.625)
C2 ⁵	M5 x 0.8P	M5 x 0.8P	M5 x 0.8P	M5 x 0.8P
C3 ⁵	≤11 / ≤12	≤11 / ≤12	≤14 / ≤16	≤14 / ≤16
C4 ⁵	32 (1.260)	32 (1.260)	40 (1.575)	40 (1.575)
C5 ^{5 G6}	38.15 (1.502)	38.15 (1.502)	38.15 (1.502)	38.15 (1.502)
C6 ⁵	3.5 (0.138)	3.5 (0.138)	4 (0.157)	4 (0.157)
C7 ⁵	55 (2.165)	55 (2.165)	58 (2.283)	58 (2.283)
C8 ⁵	36.5 (1.437)	36.5 (1.437)	25 (0.984)	25 (0.984)
C9 ⁵	106.5 (4.193)	106.5 (4.193)	132.5 (5.217)	132.5 (5.217)
C10 ⁵	15.75 (0.620)	15.75 (0.620)	19.5 (0.768)	19.5 (0.768)
B1 _{h9}	3.175 (0.125)	-	4.763 (0.188)	3.175 (0.125)
H1	14.125 (0.556)	-	21.113 (0.831)	14.125 (0.556)

5. C1-C10 are motor specific dimensions (nema std shown). Refer to apexdyna.com and design tool to view your specific motor mounting system.

Dimensions (2-stage, Ratio i=25,50,100,200)



Unit: mm (inch)

Dimension	ANR023A	ANR023C	ANR034A	ANR034C
D1	66.675 (2.625)	66.675 (2.625)	98.425 (3.875)	98.425 (3.875)
D2	5.6	5.6	5.6	5.6
D3 _{j6}	12.7 (0.50)	9.525 (0.375)	19.05 (0.750)	12.7 (0.50)
D4 _{j6}	38.1 (1.50)	38.1 (1.50)	73.025 (2.875)	73.025 (2.875)
D5	22	22	30	30
D6	M5 x 0.8P	M4 x 0.7P	M8 x 1.25P	M5 x 0.8P
L1	60	60	86	86
L2	31.8 (1.252)	25.4 (1.00)	38.1 (1.50)	31.8 (1.252)
L3	2	2	2	2
L4	1	1	1	1
L5	19.05 (0.750)	-	19.05 (0.750)	19.05 (0.750)
L6	3.8 (0.150)	-	5.7 (0.224)	3.8 (0.150)
L7	6	6	7	7
L8	180.3	173.9	205.1	243.8
L9	4.8	4.5	7.2	4.8
L10	12.5	10	19	12.5
L11	60	60	90	90
C1 ⁶	66.675 (2.625)	66.675 (2.625)	98.425 (3.875)	98.425 (3.875)
C2 ⁶	M5 x 0.8P	M5 x 0.8P	M5 x 0.8P	M5 x 0.8P
C3 ⁶	≤14 / ≤16	≤14 / ≤16	≤19 / ≤24	≤19 / ≤24
C4 ⁶	40 (1.575)	40 (1.575)	40 (1.575)	40 (1.575)
C5 ⁶ _{G6}	38.15 (1.502)	38.15 (1.502)	73.08 (2.877)	73.08 (2.877)
C6 ⁶	4 (0.157)	4 (0.157)	4 (0.157)	4 (0.157)
C7 ⁶	58 (2.283)	58 (2.283)	85 (3.346)	85 (3.346)
C8 ⁶	25 (0.984)	25 (0.984)	17 (0.669)	17 (0.669)
C9 ⁶	117.5 (4.626)	117.5 (4.626)	152.5 (6.004)	152.5 (6.004)
C10 ⁶	19.5 (0.768)	19.5 (0.768)	10.75 (0.423)	10.75 (0.423)
B1 _{h9}	3.175 (0.125)	-	4.763 (0.188)	3.175 (0.125)
H1	14.125 (0.556)	-	21.113 (0.831)	14.125 (0.556)

6. C1-C10 are motor specific dimensions (nema std shown). Refer to apexdyna.com and design tool to view your specific motor mounting system.

Ordering Code

AN Series

AN023

—

025

—

P2

/

MOTOR

Ratio:	1 Stage:	2 Stage:
AN023:	5, 10	25, 50, 100
AN023A:		25, 50, 100
AN023B:	5, 10	25, 50, 100
AN023C:		25, 50, 100
AN034:	5, 10	25, 50, 100
AN034A:		25, 50, 100
AN034B:	5, 10	25, 50, 100
AN034C:		25, 50, 100

Backlash:
P0: Micro Backlash
P1: Reduced Backlash
P2: Standard Backlash

Motor Designation:
Manufacturer Type
And Model

OUTPUT SHAFT DIMENSIONS:

All 3/8" Diameter are 1" Long with FLAT
All 1/2" Diameter are 1.25" Long with Key
All 3/4" Diameter are 1.5" Long with Key

Gearbox Size / Shaft / Input Option:

AN023 : 1/2" output, 14/16mm input single, 11/12mm Double Stage	AN034 : 3/4" output 19/24mm input single, 14/16mm Double Stage
AN023A : 1/2" output, 14/16mm Double Stage	AN034A : 3/4" output, 19/24mm Double Stage
AN023B : 3/8" output w / flat, 14/16mm input single, 11/12mm Double Stage	AN034B : 1/2" output 19/24mm input single, 14/16mm Double Stage
AN023C : 3/8" output w / flat, 14/16mm Double Stage	AN034C : 1/2" output, 19/24mm input Double

ANR Series

ANR023

—

025

—

P2

/

MOTOR

Ratio:	1 Stage:	2 Stage:
ANR023:	5, 10, 20	25, 50, 100
ANR023A:		25, 50, 100, 200
ANR023B:	5, 10, 20	25, 50, 100
ANR023C:		25, 50, 100, 200
ANR034:	5, 10, 20	25, 50, 100, 200
ANR034A:		25, 50, 100, 200
ANR034B:	5, 10, 20	25, 50, 100, 200
ANR034C:		25, 50, 100, 200

Backlash:
P0: Micro Backlash
P1: Reduced Backlash
P2: Standard Backlash

Motor Designation:
Manufacturer Type
And Model

OUTPUT SHAFT DIMENSIONS:

All 3/8" Diameter are 1" Long with FLAT
All 1/2" Diameter are 1.25" Long with Key
All 3/4" Diameter are 1.5" Long with Key

Gearbox Size / Shaft / Input Option:

ANR023 : 1/2" output, 14/16mm input single, 11/12mm Double Stage	ANR034 : 3/4" output 19/24mm input single, 14/16mm Double Stage
ANR023A : 1/2" output, 14/16mm Double Stage	ANR034A : 3/4" output, 19/24mm Double Stage
ANR023B : 3/8" output w / flat, 14/16mm input single, 11/12mm Double Stage	ANR034B : 1/2" output 19/24mm input single, 14/16mm Double Stage
ANR023C : 3/8" output w / flat, 14/16mm Double Stage	ANR034C : 1/2" output, 19/24mm input Double

■ Please visit our website for newest update data.



APEX DYNAMICS, INC.

No.10, Keyuan 3rd Rd., Situn District, Taichung City 407, Taiwan (R.O.C.)

Tel: 886 4 23550219 / Fax: 886 4 23550218

E-mail: sales@apexdyna.com

Website: www.apexdyna.com

APEX-2009-03-AN / ANR-2.0E-3.0V



USA

APEX DYNAMICSUSA, INC.

1363-10 Lincoln Avenue Holbrook, NY 11741 U.S.A.

TEL : 631-244-9040 / FAX : 631-244-9030

Email : sales@apexdynamicsusa.com

Website : www.apexdynamicsusa.com